

MX8[™]

Important Information

WARNING

RISK OF SUCTION ENTRAPMENT HAZARD, WHICH, IF NOT AVOIDED CAN RESULT IN SERIOUS INJURY OR DEATH. Ensure that your vacuum suction fittings installed in your pool for connection of your suction-side pool cleaner are certified as being compliant with applicable safety standards such as IAPMO SPS 4. Do not block the suction fittings with any part or your body. Do not expose your hair, loose clothing, jewelry, etc. to any suction outlet fittings in the pool/spa.



Read owner's manual completely before operating the cleaner.



Remove cleaner before entering the pool.



Do not operate outside of the pool.



Do not let children play with cleaner.

Notice for Vinyl Liner Pools: Before installing your pool cleaner, examine the interior of your pool carefully. If the vinyl liner is brittle or has stones, wrinkles, roots or metal corrosion in contact with the underside of the liner, or has damage to the base material or supporting walls, do not install the cleaner before having a qualified professional perform the necessary repairs or liner replacement. **Zodiac Pool Systems, Inc. (Zodiac) will not be responsible for liner damage caused by a cleaner which is in disrepair, pattern removal from a vinyl liner, or a cleaner used in a pool having an aged or deteriorated liner.** Please see Limited Warranty.

- To help prevent suction entrapment accidents, wall vacuum fittings should have a safety vac lock installed. Contact your builder or retail pool professional for details.
- Clean the skimmer basket, pump basket and pool filter before installing the cleaner and on a regular basis thereafter.
- Always disconnect the cleaner from the pool wall or skimmer before cleaning or backwashing the pool filter. After cleaning or backwashing, let the filtration system run for at least five (5) minutes before re-connecting the cleaner.
- Remove the cleaner from the pool before chemical or shock treatments. Wait a minimum of four (4) hours after super chlorination before re-installing the cleaner.

To ensure prompt warranty service, should it be required, please:

- Complete and return the Zodiac Warranty Card.
- Record your purchase information.
- Attach a copy of your purchase receipt to this document.

Date of Purchase: _____ Purchased From: _____

Serial Number (located under the hood) _____

If service is required, simply present your manual with the attached receipt at any Zodiac warranty center.

For customer service or support:

Zodiac Pool Systems, Inc. 2620 Commerce Way, Vista, CA 92081-8438

1-800-822-7933

Zodiac Pool Systems Canada, Inc.

2115 South Service Road West, Unit 3, Oakville ON L6L 5W2 Canada

1-888-647-4004

Introduction

Congratulations on the purchase of your new MX8 automatic pool cleaner. Built with proven technology, the MX8 is designed and manufactured for easy installation and years of carefree operation. Before installing the cleaner, please take a few moments to become familiar with its components and to review the items listed under **Important Information**.

Like most mechanical devices, the MX8 requires periodic adjustments, routine maintenance, and the replacement of certain hardworking parts. Be sure to have the MX8 checked occasionally by your local dealer or service center.

Always insist on genuine Zodiac replacement parts. Non-Zodiac parts are not made to our specifications. They may have an adverse effect on the operation of your MX8 or may even damage it.

MX8 Components (Figure 1)

- a. Cleaner Body
- b. Flowkeeper™ Valve
- c. Valve Cuff
- d. Twist-Lock 45 Degree Elbow, Extended
- f. Twist-Lock 45 Degree Elbow
- g. Flow Regulator Valve
- h. Leader Hose Section with Hose Float
- j. Twist-Lock Hose Section (x11)

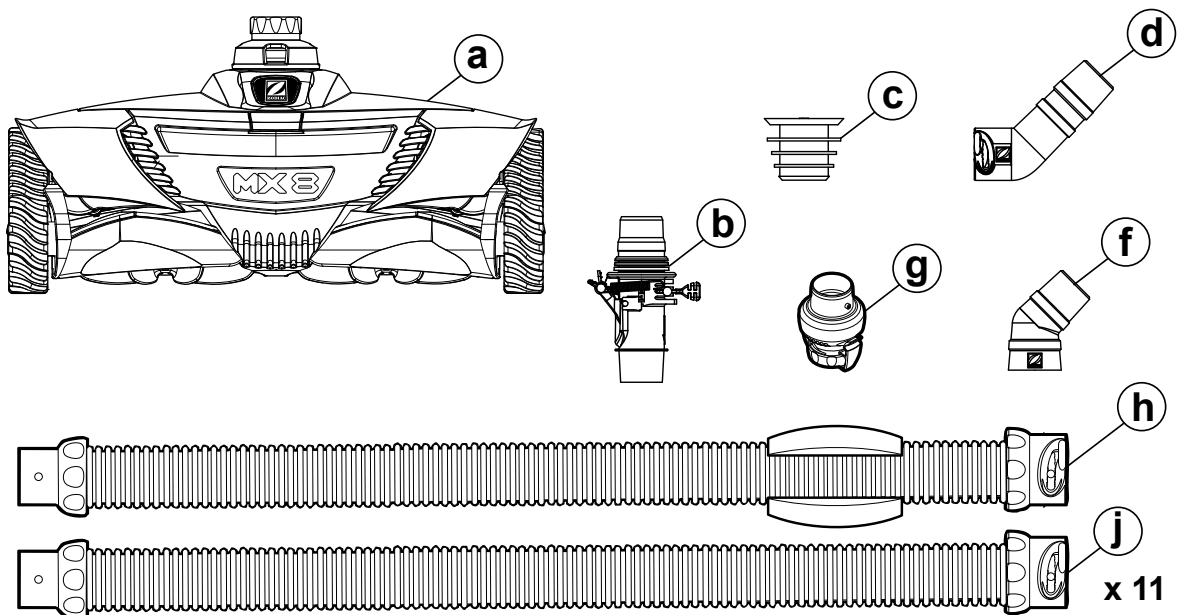


Figure 1

Installation

Prepare the Pool

1. Turn off the pool filter pump.
2. Manually vacuum the pool, and make sure the pool filter and pump basket are clean.
3. Close the pool main drain line.
4. Aim the return line fittings down.

Assemble and Connect the Hose

WARNING

RISK OF SUCTION ENTRAPMENT HAZARD, WHICH, IF NOT AVOIDED CAN RESULT IN SERIOUS INJURY OR DEATH. Ensure that your vacuum suction fittings installed in your pool for connection of your suction-side pool cleaner are certified as being compliant with applicable safety standards such as IAPMO SPS 4. Do not block the suction fittings with any part or your body. Do not expose your hair, loose clothing, jewelry, etc. to any suction outlet fittings or hose ends in the pool/spa.

Assemble hose sections:

Push and twist the connector on each hose section until they lock into position with clicking sound. Hose cuffs have three (3) connection positions. Any of the three (3) positions are sufficient for an air-tight seal.

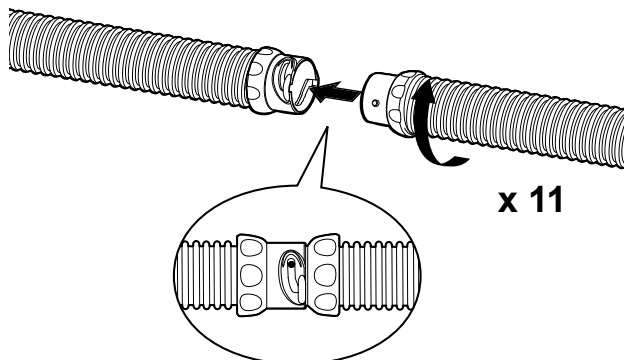


Figure 2

Connect to a skimmer:

The FlowKeeper™ valve must always be used in single skimmer installations. The valve regulates flow to ensure the pool pump and cleaner run properly.

If the pool has more than one skimmer, connect the hose to the one closest to the pump.

The parts used to connect the hose and the sequence in which they are installed depends on the type of skimmer (Figure 3).

1. Remove the skimmer basket.
2. Connect the valve cuff, FlowKeeper valve and the 45 degree elbow together.
3. Twist lock the male end of the hose into the end of the 45 degree elbow.
4. Insert the skimmer pipe with arrow pointing down.

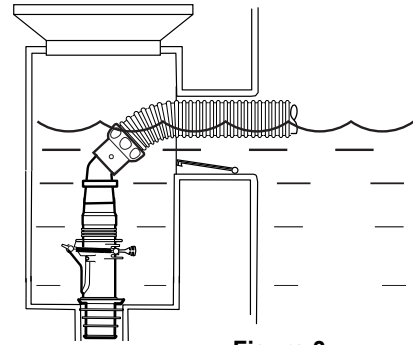


Figure 3

Connect to a dedicated suction line:

1. Twist lock the male end of the hose into the large end of the extended 45° elbow.
2. Connect elbow to the installed Safety Vac wall fitting (sold separately).
3. Angle the elbow upward towards the water surface (Figure 4).

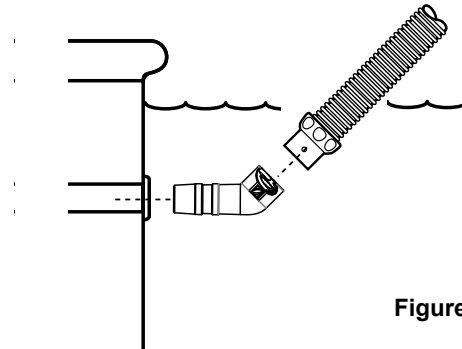


Figure 4

Determine correct hose length for your pool:

1. Measure enough hose to reach the farthest point of the pool from the skimmer or dedicated suction line. Remove any additional hose sections, as necessary. See (a) in Figure 5, below.
2. Next attach the leader hose at to the end where the cleaner head will be connected. See (b) in Figure 5, below. The extra length allows the cleaner to reach the far point in the pool if a loop forms while in operation.

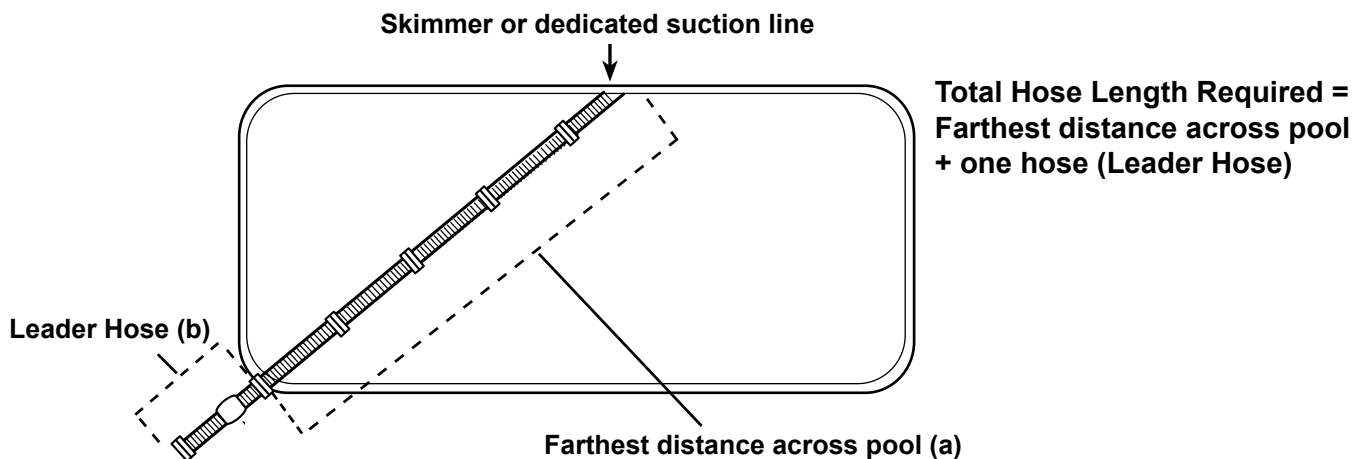


Figure 5

Connect the Cleaner

1. Attach the flow regulator valve to the leader hose. Leader hose is the hose section with foam float pre-attached (Figure 6).
2. Submerge the cleaner and flood it with water.
3. When bubbles stop coming from the cleaner, connect the hose by pushing the flow regulator valve onto the cleaner (Figure 7).
4. Allow the cleaner to sink to the bottom of the pool.
5. Temporarily disconnect the hose from the skimmer or dedicated vacuum line.
6. Turn on the pool filter pump.
7. Flood the hose with water by placing the end in front of one of the pool water return inlets.
8. Turn off the pool filter pump.
9. Reconnect the hose to the skimmer or dedicated vacuum line.

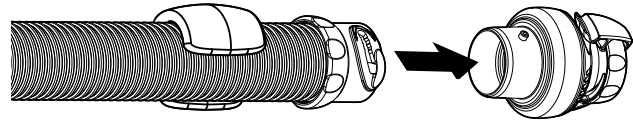


Figure 6

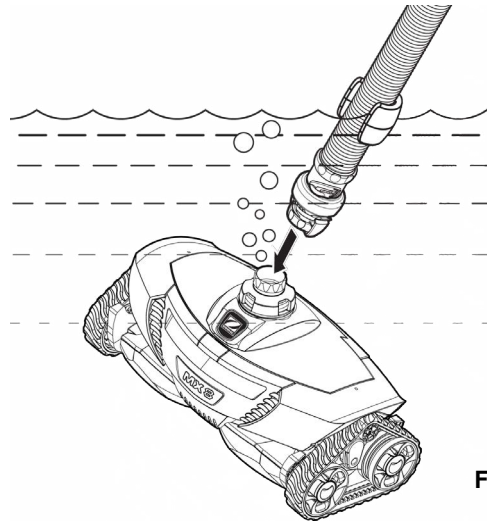


Figure 7

Test for Proper Flow

⚠ WARNING

To avoid serious injury, make sure to turn off the suction pump that is responsible for the pool cleaner operation. Do not expose your hair, loose clothing, jewelry, etc. to the open end of the hose.

The flow regulator valve is designed to consistently limit high flow of water through the cleaner. When flow is correct, the cleaner components are less susceptible to damage and the life of the cleaner can be extended. Wheel rotation speed is a good indicator of how water is flowing through the cleaner. By checking for proper wheel rotation timing, you can verify the MX8 is operating at maximum efficiency.

Time wheel rotations:

1. Turn on the pool filter pump.
2. Obtain a stopwatch or timer.
3. Leaving the pump on and water flowing through the cleaner, bring the MX8 to the surface of the water and hold it fully submerged just below the water line.
4. Locate the yellow wheel speed indicator on the rear right wheel (Figure 8).

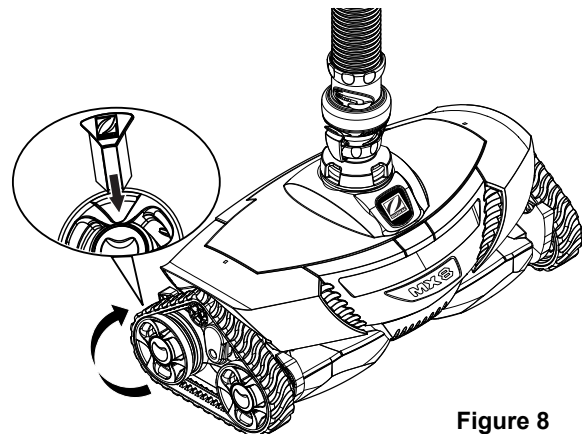


Figure 8

5. Wait for the wheels to change direction, then start timing how long it takes for the wheels to rotate 10 times. If the wheel reverses during timing, start over.
6. Note how many seconds for 10 rotations. If the count is within 20 - 25 seconds, flow to the cleaner is adequate and no adjustment is necessary.

Adjust flow if necessary:

1. Determine if the flow to the cleaner is adequate or should be adjusted. If the count is:
 - **26 - 50 seconds --- Increase Flow (+)**
 - **10 - 19 seconds --- Decrease Flow (-)**
2. Use the FlowKeeper™ valve setting up or down, or adjust the valves at the equipment pad to increase or decrease flow to the cleaner as necessary (Figure 9).

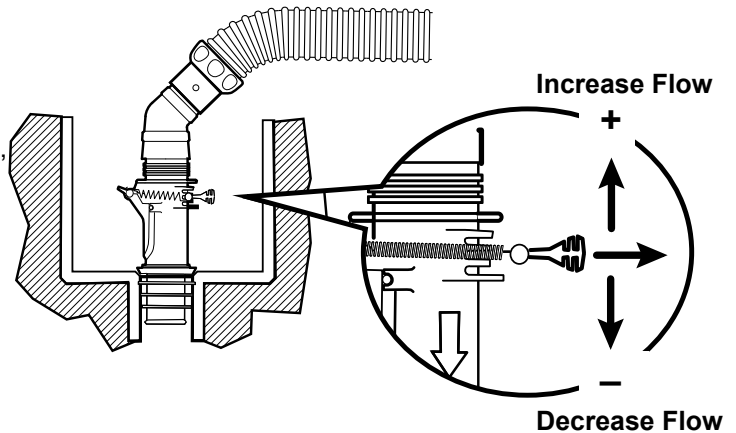


Figure 9

Operation and Routine Maintenance

The MX8 cycles on/off with the pool filtration pump, vacuuming and cleaning all surfaces randomly throughout the pool. The climbing ability of the cleaner is dependent on the pool's shape and available water flow. If MX8 is not climbing your walls, ensure the flow is correct by checking the wheel speed. Also, ensure the pool's surface is not covered in algae as this slippery surface will affect the cleaner's traction.

During each coverage pattern cycle, the cleaner travels both forward and backwards, and pivots to the right and left. The power scrubbers underneath the cleaner create down force for climbing and stability as well as directing debris into the cleaner mouth.

Empty the pump basket:

For the MX8 to operate at optimum efficiency, empty the pump basket regularly. The more debris in the pool, the more often the pump basket should be cleared. Zodiac® offers an in-line leaf canister which will trap **solid debris before it enters the pump basket**. See your Zodiac dealer for details.

Backwash the pool filter:

Always disconnect the MX8 from the pool wall before cleaning or backwashing the pool filter. After cleaning or backwashing, let the filtration system run for at least five (5) minutes to flush out the suction lines before re-connecting the cleaner.

Add chemicals to the pool:

Remove the cleaner from the pool for at least four (4) hours when adding chemicals.

Storage and winterizing:

Never store the MX8 in direct sunlight. When storing for the winter, drain out all the water (freeze damage is not covered by the warranty). Remove all connectors and adapters from the dedicated suction line or skimmer. When storing the cleaner, even for short times, do not coil the hose as the hose may develop a memory which can affect cleaner performance. Disassemble the hoses and layout flat.

Remove Debris from Engine

⚠ WARNING

To avoid serious injury, make sure that the cleaner is disconnected from the hose and the suction pump used for the cleaner is turned off prior to starting this operation.

1. Push the latch release button on the top of the cleaner (Figure 10).
2. Rotate the top assembly back until it clicks into an upward position.
3. Look into engine and remove debris that is present.
4. If needed, slowly push engine paddles forward and/or backwards to move stuck debris to an accessible position then remove it. When moving the engine paddles, make sure the cleaner tracks are allowed to move freely as they will turn as the engine paddles rotate.
5. Close engine top and ensure the latch clicks in place.

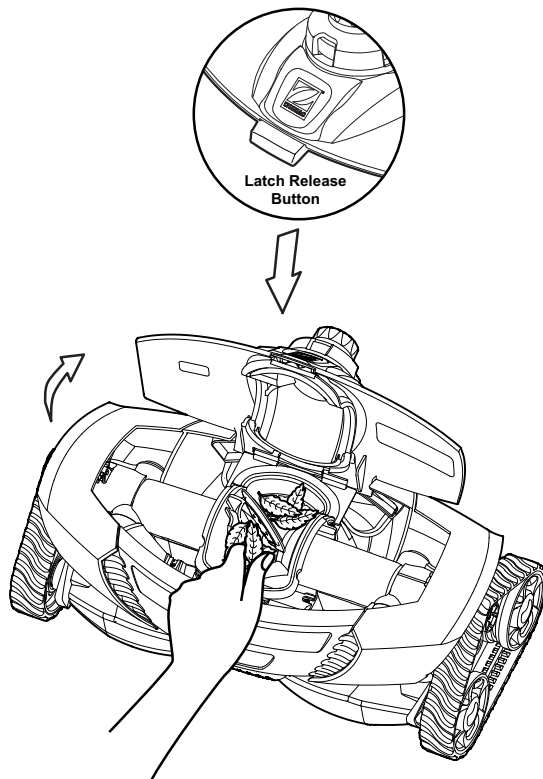


Figure 10

Cleaner Vacuum Modes

The MX8 Pool Cleaner is designed to operate with two vacuum options:

1. **Small debris cleaning mode (factory setting):** For vacuuming smaller and heavy debris, such as sand, silt and small stones. The pool cleaner is sent from the factory in this mode.
2. **Large debris cleaning mode:** (Figure 11) For vacuuming large debris, such as leaves. It is recommended that you return the cleaner to small debris factory setting after large debris cleaning is complete (Figure 12).

WARNING

To avoid serious injury, make sure that the cleaner is disconnected from the hose and the suction pump used for the cleaner is turned off prior to starting this operation.

Convert the pool cleaner to the large debris cleaning mode:

1. Grasp the yellow inlet adapter and insert a finger into the adapter hole.
2. Lift up the rear edge of the inlet adapter and then pull it out of the vacuum inlet.

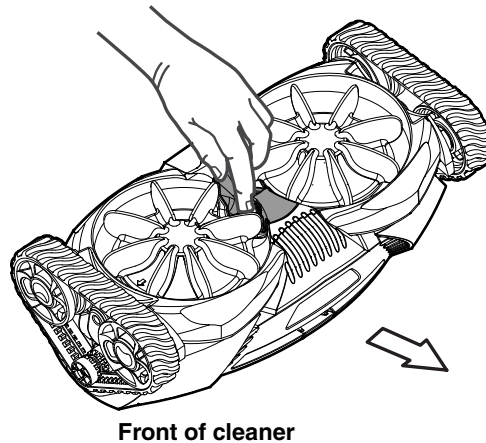


Figure 11

Convert the cleaner back to the small debris cleaning mode:

- Place the yellow inlet adapter in the vacuum inlet of the pool cleaner. Push down on the yellow inlet adapter until both the front and rear edges click into place.

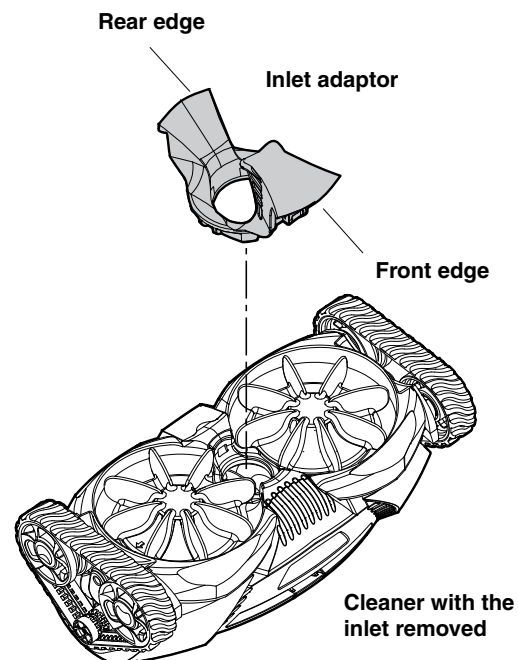


Figure 12

Troubleshooting

If you experience a problem with your MX8, please follow the troubleshooting steps below to restore performance. If further assistance is required, contact Zodiac Technical Support Department at (800) 822-7933.

Problem	Solution
Cleaner does not move or moves slowly.	<ul style="list-style-type: none"> • Confirm that the main drain is closed. • Check wheel speed to verify proper flow. Refer to section, "Check for Proper Flow." • Backwash filter and empty pump basket. • Check for debris jammed in engine. Refer to section, "Remove Debris from Engine". • Switch cleaner to large debris cleaning mode. Refer to section, "Pool Cleaner Vacuum Modes". • Check for air in system. If water level in pump basket drops or you see excessive air bubbles in the pump basket or coming from the return lines, there is air in the system. Check hose connections, tighten all fittings at pump and check o-ring at pump basket for wear. • Check the flow regulator valve to make sure the internal piston can move freely.
Cleaner patterns, does not cover entire pool.	<ul style="list-style-type: none"> • Count wheel rotations to verify proper flow. Refer to section, "Check for Proper Flow". Adjust flow if necessary. • Ensure return line fittings are directed downward. Add a return diverter if necessary. • Make sure hose is not kinked or coiled. Lay in sun to straighten if necessary. • Verify hose float is positioned approximately 9" from cleaner. • Observe cleaner for more than five (5) minutes and ensure that each drive track is periodically reversing direction. If it is not, contact dealer or service center for help. • Confirm you measured the proper hose length for your pool.
Cleaner gets stuck at steps.	<ul style="list-style-type: none"> • Observe cleaner for more than five (5) minutes and ensure that each drive track is periodically reversing direction. If it is not, contact your dealer or service center for help. • Ensure the swivel on top of the cleaner rotates freely. • Count wheel rotations to verify proper flow. Refer to section, "Check for Proper Flow". Adjust flow if necessary. • Confirm proper hose length. Shorten if necessary.
Cleaner won't climb walls.	<ul style="list-style-type: none"> • Count wheel rotations to verify proper flow. Refer to section, "Check for Proper Flow". Adjust flow if necessary. • Verify hose float is positioned approximately 9" from cleaner
Cleaner riding on its side.	<ul style="list-style-type: none"> • Verify hose float is positioned approximately 9" from cleaner.

MX8 Spare Parts

Exploded parts diagrams and list of spare parts is available at: www.ZodiacPoolSystems.com

Information importante

⚠ AVERTISSEMENT

RISQUE DE PIÉGEAGE DANS LA CONDUITE D'ASPIRATION QUI, SI NON ÉVITÉ, POURRAIT ENTRAÎNER DES BLESSURES GRAVES OU LA MORT. S'assurer que les raccords d'aspiration installés dans votre piscine pour connecter le nettoyeur de piscine du côté aspiration sont homologués aux normes de sécurité applicables telles que IAPMO SPS 4. Ne pas bloquer les raccords d'aspiration avec une partie de votre corps. Garder les cheveux, vêtements amples, bijoux, etc. loin des raccords d'aspiration de la piscine/spa.



Lire le manuel d'entretien avant de faire fonctionner l'aspirateur.



Retirer l'aspirateur avant d'entrer dans la piscine.



Ne pas utiliser en dehors de la piscine.



Ne pas laisser les enfants jouer avec l'aspirateur.

Avis pour les piscines à revêtement en vinyle : Avant d'installer le nettoyeur de piscine, veuillez examiner l'intérieur de votre piscine avec soin. Si le revêtement est craquelé ou a des pierres, des replis, des racines ou une présence de corrosion métallique en contact avec le dessous du revêtement, ou si le matériel de la base ou les parois de soutènement sont endommagés, ne pas installer le nettoyeur avant d'avoir fait réparer ou remplacer le revêtement par un professionnel agréé. Veuillez consulter la garantie limitée.

- Pour éviter les accidents d'aspiration, les installations d'aspiration du mur devraient avoir un verrou de sécurité installé. Veuillez communiquer avec votre constructeur ou professionnel de piscines pour davantage de détails.
- Nettoyez le panier de l'écumoire, le panier de la pompe et le filtre de la piscine avant d'installer le nettoyeur et de façon régulière par la suite.
- Débranchez toujours le nettoyeur du mur ou de l'écumoire de la piscine avant de nettoyer ou faire un remous du filtre de la piscine. Après le nettoyage ou le ressac, laissez fonctionner le système de filtration pendant au moins cinq (5) minutes avant de rebrancher le nettoyeur.
- Enlevez le nettoyeur de la piscine avant de faire des traitements de choc ou de produits chimiques. Attendez un minimum de quatre (4) heures après la surchloration avant de réinstaller le nettoyeur.

Pour assurer un service rapide dans le cadre de la garantie, il est exigé de :

- Compléter et retourner la fiche de garantie à Zodiac.
- Enregistrer votre information d'achat.
- Attacher une copie de votre reçu d'achat à ce document.

Date d'achat : _____ Acheté chez : _____

Numéro de série (situé sous le dessus) _____

S'il y a lieu, vous aurez à présenter votre manuel avec le reçu à tout centre de garantie de Zodiac.

Pour le service à la clientèle ou le soutien technique :

Zodiac Pool Systems, Inc. 2620 Commerce Way, Vista, CA 92081-8438

1-800-822-7933

Zodiac Pool Systems Canada, Inc.

2115 South Service Road West, Unit 3, Oakville ON L6L 5W2 Canada

1-888-647-4004

Introduction

Félicitations pour l'achat de votre nouveau nettoyeur automatique de piscine MX8. Construit avec la technologie éprouvée, le MX8 est conçu et fabriqué pour une installation facile et des années de fonctionnement sans soucis. Avant d'installer le nettoyeur, veuillez prendre quelques instants pour en connaître ses composants et examiner les points énumérés sous **Renseignements importants**.

Comme la plupart des dispositifs mécaniques, le MX8 exige des ajustements périodiques, une maintenance de routine et le remplacement de certaines pièces mobiles. Assurez-vous de faire vérifier le MX8 occasionnellement par votre détaillant local ou le centre de service.

Exigez toujours des pièces de rechange de Zodiac d'origine. Les pièces qui ne proviennent pas de Zodiac ne sont pas fabriquées selon nos spécifications. Elles peuvent avoir un effet négatif sur le fonctionnement de votre MX8 ou même l'endommager.

Aspirateur MX8 complet (Figure 1)

- a. Boîtier du nettoyeur
- b. Valve Flowkeeper™
- c. Manchon de la valve
- d. Coude à verrouillage par rotation de 45 degrés allongé
- e. Valve du réglage de débit
- f. Section du flexible avec flotteur
- g. Valve de 45 degrés
- h. Section de flexible à verrouillage par rotation (x11)

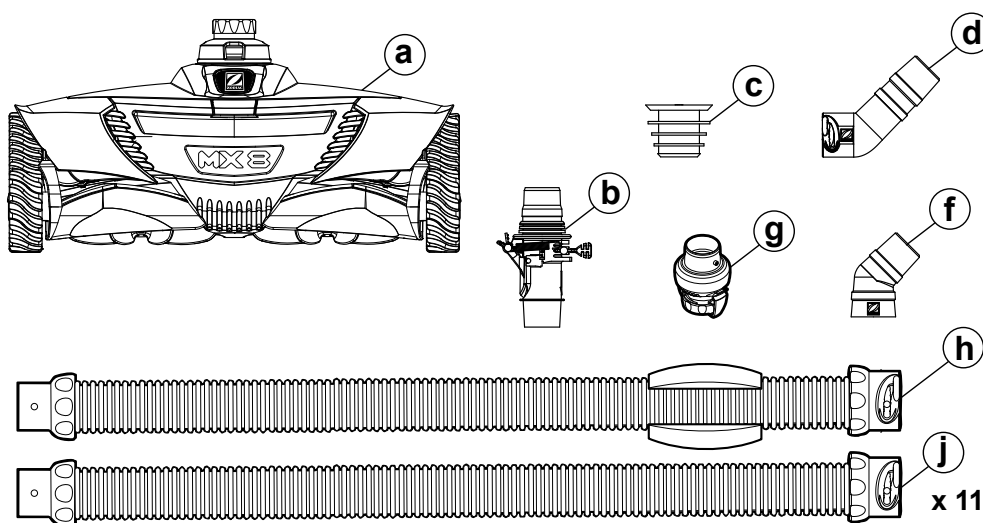


Figure 1

Installation

Préparation de la piscine

1. Éteindre la pompe du filtre de la piscine.
2. Balayer la piscine manuellement et s'assurer que le filtre de la piscine et le panier de la pompe sont propres.
3. Fermer la ligne principale de canalisation de la piscine.
4. Aligner les raccords des conduites de retour vers le bas.

Assembler et raccorder le flexible

AVERTISSEMENT

RISQUE DE PIÉGEAGE DANS LA CONDUITE D'ASPIRATION QUI, SI NON ÉVITÉ, POURRAIT ENTRAÎNER DES BLESSURES GRAVES OU LA MORT. S'assurer que les raccords d'aspiration installés dans votre piscine pour connecter le nettoyeur de piscine du côté aspiration sont homologués aux normes de sécurité applicables telles que l'IAPMO SPS 4. Ne pas bloquer les raccords d'aspiration avec une partie de votre corps. Garder vos cheveux, vêtements amples, bijoux, etc. loin des raccords d'aspiration ou des extrémités du flexible dans la piscine/le spa.

Assembler les sections du flexible :

Pousser et tordre le connecteur de chaque section du flexible jusqu'à ce qu'ils soient à la position correcte (un déclic se fera entendre). Les manchons du flexible comportent trois positions de raccordement (3). N'importe laquelle des trois (3) positions est suffisante pour un joint étanche à l'air.

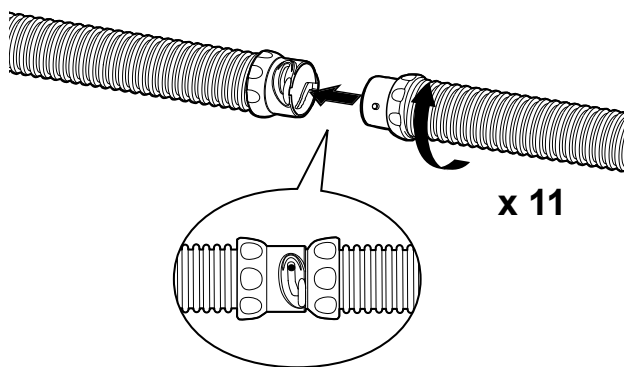


Figure 2

Raccordement à une écumoire :

La soupape FlowKeeper™ doit toujours être utilisée dans les installations à écumoire unique. La soupape règle l'écoulement pour assurer que la pompe aussi bien que le nettoyeur de la piscine fonctionnent correctement.

Si la piscine plusieurs écumoirs, raccorder le flexible à celle qui est la plus près de la pompe.

Les pièces utilisées pour raccorder le flexible et l'ordre dans lequel elles sont installées dépendent du type d'écumoire (Figure 3).

1. Enlever le panier de l'écumoire.
2. Raccorder ensemble le manchon de la valve, la valve FlowKeeper et le raccord coudé à 45 degrés.
3. Verrouiller par rotation l'extrémité mâle du flexible dans l'extrémité du coude de 45 degrés.
4. Insérer le flexible de l'écumoire avec la flèche vers le bas.

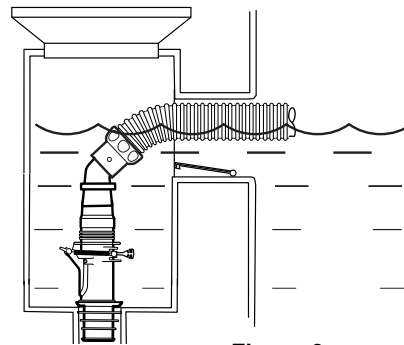


Figure 3

Raccordement à une ligne d'aspiration réservée :

1. Verrouiller par rotation l'extrémité mâle du flexible dans l'extrémité de grande dimension du coude allongé de 45°.
2. Raccorder le coude à la prise Safety Vac installée (vendue séparément).
3. Orienter le coude vers le haut, en direction de la surface de l'eau (Figure 4).

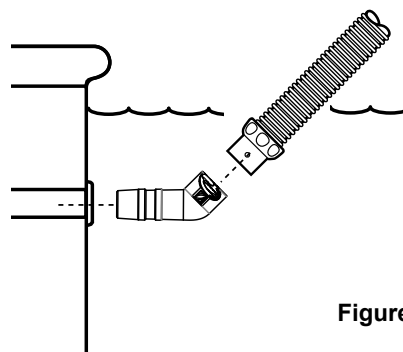


Figure 4

Déterminer la bonne longueur de flexible pour votre piscine :

1. Mesurer une longueur de tuyau suffisante pour atteindre le point dans la piscine le plus éloigné de l'écumoire ou de la ligne d'aspiration réservée. Retirer des sections supplémentaires, au besoin (voir (a), Figure 5).
2. Après avoir déterminé la longueur de la piscine, raccorder la première section de flexible à l'extrémité où la tête de l'aspirateur sera raccordée. Voir (b), Figure 5.

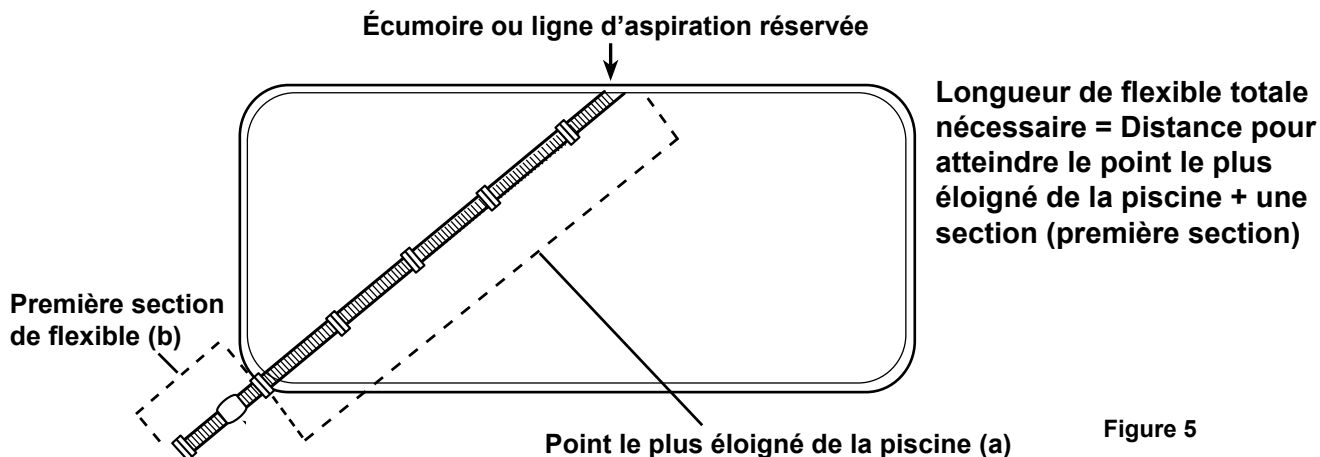


Figure 5

Raccordement du nettoyeur

1. Raccorder la valve de régulation du débit à la première section du flexible. La première section est celle qui comporte un flotteur en mousse préalablement installé (Figure 6).
2. Immerger l'aspirateur et le remplir d'eau.
3. Lorsque les bulles cessent de s'échapper de l'aspirateur, raccorder le flexible en appuyant sur la valve de régulation du débit de l'aspirateur (Figure 7).
4. Laisser l'aspirateur couler au fond de la piscine.
5. Débrancher temporairement le flexible de l'écumoire ou de la ligne d'aspiration réservée.
6. Allumer la pompe du filtre de la piscine.
7. Remplir le flexible avec de l'eau en plaçant l'extrémité devant une arrivée de retour de l'eau.
8. Éteindre la pompe du filtre de la piscine.
9. Raccorder à nouveau le flexible à l'écumoire ou à la ligne d'aspiration réservée.

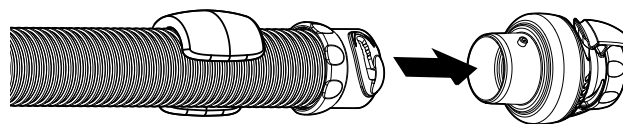


Figure 6

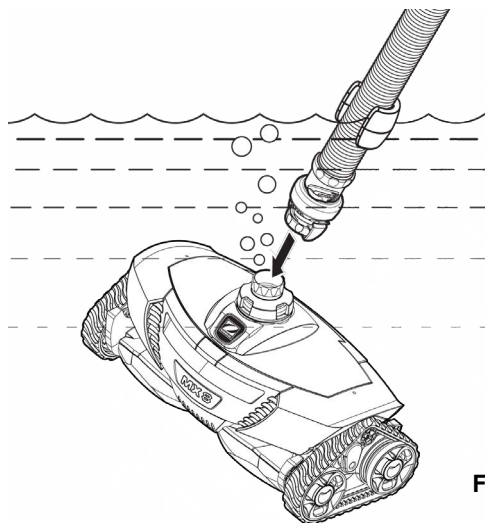


Figure 7

Vérification d'un écoulement approprié

⚠ AVERTISSEMENT

Pour éviter des blessures graves, veuillez éteindre la pompe d'aspiration qui est responsable de l'opération de nettoyage de la piscine. Garder vos cheveux, vêtements amples, bijoux, etc. loin de l'extrémité ouverte du flexible.

La valve régulatrice de débit est conçue pour limiter constamment le débit de l'eau qui circule dans l'aspirateur. Quand le débit est adéquat, les composants de l'aspirateur sont moins susceptibles de s'endommager, ce qui prolonge la durée de vie de l'aspirateur. La vitesse de rotation des roues est un bon indicateur du mouvement de l'eau dans l'aspirateur. En vérifiant si la vitesse de rotation des roues est adéquate, on peut vérifier si le MX8 fonctionne à son rendement maximal.

Évaluer la vitesse de rotation des roues :

1. Allumer la pompe du filtre de la piscine.
2. Utiliser un chronomètre ou une minuterie.
3. En laissant la pompe allumée et en laissant l'eau circuler dans l'aspirateur, soulever le MX8 à la surface de l'eau et le maintenir entièrement submergé juste sous la surface.
4. Trouver l'indicateur de vitesse jaune sur la roue arrière-droite (Figure 8).

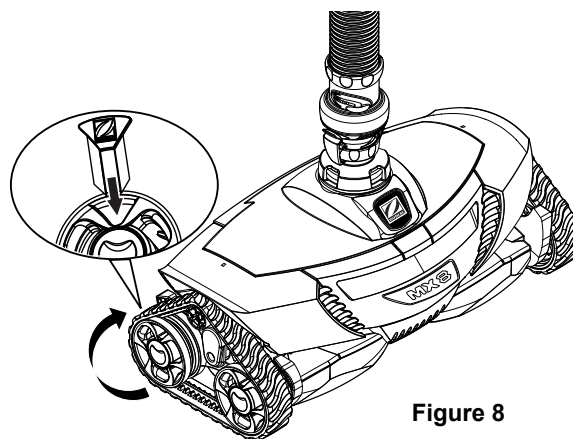


Figure 8

- Attendre que les roues changent de direction et chronométrer le temps nécessaire pour que les roues complètent 10 tours. Si la roue change de sens pendant le calcul, recommencer à zéro.
- Noter le nombre de secondes nécessaires pour 10 rotations. Si le résultat est de 20 à 25 secondes, le débit d'eau dans l'aspirateur est adéquat et aucun réglage n'est nécessaire.

Régler le débit si nécessaire :

- Déterminer si le débit d'eau vers l'aspirateur est adéquat ou doit être réglé. Si le résultat est de :
 - 26 à 50 secondes --- Augmenter le débit (+)
 - 10 à 19 secondes --- Réduire le débit (-)
- Régler la valve FlowKeeper™ en augmentant ou en réduisant le débit, ou régler les vannes au niveau de la plateforme des appareils pour augmenter ou réduire le débit d'eau vers l'aspirateur au besoin (Figure 9).

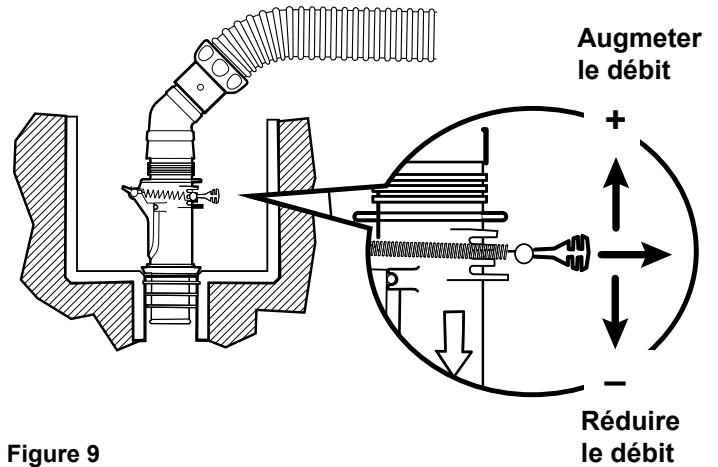


Figure 9

Fonctionnement et entretien de routine

Le MX8 effectue des cycles de marche/arrêt avec la pompe de filtration de piscine, ce qui permet le balayage et le nettoyage de toutes les surfaces de façon aléatoire. La capacité de montée du nettoyeur varie en fonction de la forme de la piscine et du débit d'eau disponible. Si le MX8 ne monte pas les parois, assurez-vous que le débit est correct par regardant l'indicateur jaune et calculant les tours de la chenille. En outre, assurez-vous que la surface de la piscine n'est pas couverte d'algue, car ceci affectera la traction du nettoyeur.

Au cours de chaque cycle des zones de balayage, le nettoyeur se déplace vers l'avant et l'arrière et pivote vers la droite et la gauche. Les brosseuses de forte puissance qui sont en dessous du nettoyeur créent une force pour la montée et la stabilité ainsi que pour la direction des débris vers l'ouverture du nettoyeur.

Vidage du panier de la pompe

Pour que le MX8 fonctionne avec une efficacité optimale, videz le panier de la pompe régulièrement. Plus il y a de débris dans la piscine, plus le panier de la pompe devra être souvent nettoyé. Zodiac offre un récupérateur de feuilles en ligne qui piège les débris solides avant leur entrée dans le panier de la pompe. Consultez votre détaillant Zodiac pour des renseignements supplémentaires.

Lavage à contre-courant le filtre de la piscine

Débranchez toujours le MX8 de la paroi de la piscine avant de procéder au nettoyage ou au lavage à contre-courant du filtre de la piscine. Après le nettoyage ou le lavage à contre-courant, laissez le système de filtration fonctionner pendant au moins cinq (5) minutes pour rincer les conduites d'aspiration avant de rebrancher le nettoyeur.

Ajout de produit chimique à la piscine

Retirez le nettoyeur de la piscine pendant au moins quatre (4) heures après l'ajout de produits chimiques.

Rangement et hivernage

Ne rangez jamais le MX8 sous la lumière directe du soleil. Pour le rangement pendant l'hiver, videz toute l'eau (les dommages dus au gel ne sont pas couverts par la garantie). Enlevez tous les connecteurs et les adaptateurs de la conduite d'aspiration réservée ou de l'écumoire. Pour le rangement du nettoyeur, même pour de courtes périodes, n'enroulez pas le flexible, car il peut développer une mémoire qui peut affecter les performances du nettoyeur. Désassemblez les flexibles et mettez-les à plat.

Retrait ses débris logés dans le moteur

⚠ AVERTISSEMENT

Pour éviter de graves blessures, assurez-vous que le nettoyeur est débranché du flexible et que l'aspiration de la pompe utilisée pour le nettoyeur est éteinte avant de commencer cette opération.

- 1) Poussez le bouton de déverrouillage du loquet sur le dessus du nettoyeur (voir a figure 10).
- 2) Faites pivoter l'ensemble supérieur jusqu'à ce qu'il s'enclenche dans une position vers le haut.
- 3) Enlevez les débris qui sont présents dans le moteur.
- 4) S'il y a lieu, poussez doucement sur les pales du moteur vers l'avant et/ou l'arrière pour déplacer les débris coincés à un endroit accessible pour les retirer. Pour le déplacement des pales du moteur, assurez-vous que les roues de traction du nettoyeur tournent librement comme elles le font normalement lorsque les pales du moteur tournent.
- 5) Fermez la partie supérieure du moteur et assurez-vous que le loquet clique en place.

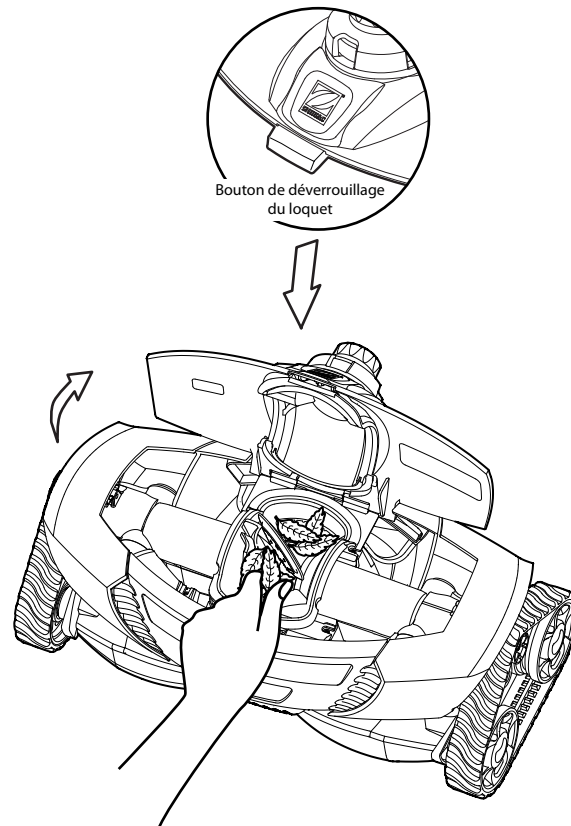


Figure 10

Modes d'aspiration de l'aspirateur de piscine

L'aspirateur de piscine MX8 est conçu avec deux (2) options d'aspiration :

1. **Mode de nettoyage des petits débris (défini en usine) :** Pour aspirer les débris plus petits et lourds tels que le sable, la vase et les cailloux. L'aspirateur de piscine est expédié de l'usine dans ce mode.
2. **Mode de nettoyage des gros débris (figure 11):** Pour aspirer les débris plus gros tels que les feuilles. Retourner l'aspirateur au mode d'usine (petits débris) après chaque instance de nettoyage (figure 12).

AVERTISSEMENT

Pour éviter de graves blessures, s'assurer que l'aspirateur est débranché du flexible et que l'aspiration de la pompe utilisée pour l'aspirateur est éteinte avant de commencer cette opération.

Pour convertir l'aspirateur de piscine au mode de nettoyage des gros débris :

1. Saisir l'adaptateur d'admission jaune et insérer un doigt dans l'orifice de l'adaptateur, tel qu'il est indiqué ci-dessous.
2. Soulever le bord arrière de l'adaptateur d'admission, puis le retirer de la prise d'aspiration.

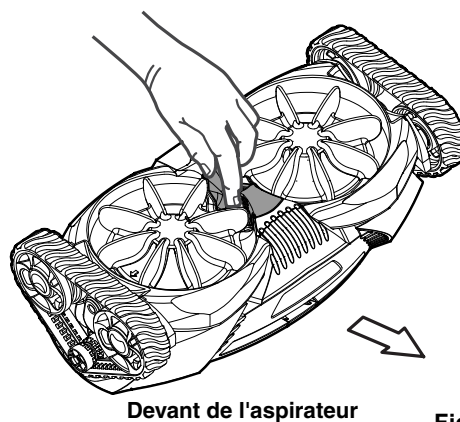


Figure 11

Pour convertir à nouveau l'aspirateur au mode de nettoyage des petits débris :

- Placer l'adaptateur d'admission jaune dans la prise d'aspiration de l'aspirateur de piscine. Appuyer sur l'adaptateur d'admission jaune jusqu'à ce que les bords avant et arrière s'enclenchent.

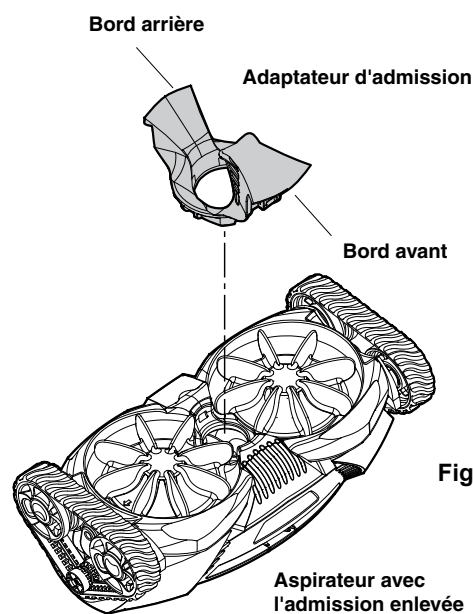


Figure 12

Résolution des problèmes

Si vous rencontrez un problème avec votre MX8, veuillez suivre les étapes de dépannage ci-dessous pour restaurer les performances. Si une assistance supplémentaire est nécessaire, veuillez contacter le Service de soutien technique de Zodiac au +1 (800) 822-7933. Veuillez avoir le numéro de série et la date d'achat disponibles quand vous appelez.

Problème	Solutions
Le nettoyeur ne se déplace pas au moment du démarrage ou se déplace lentement.	<ul style="list-style-type: none"> • Confirmez que la canalisation principale est fermée. • Assurez que le débit est correct. Voir la section « Vérifier le débit ». • Lavez à contre-courant le filtre et videz le panier de la pompe. • Vérifier qu'il n'y a aucuns débris coincés dans le moteur. Se référer à la section « Retirer les débris ». • Débrancher l'adaptateur d'admission jaune situé au fond de l'aspirateur de piscine. Se référer à la section « Modes d'aspiration de l'aspirateur de piscine ». • Vérifiez la présence d'air dans le système. Si le niveau d'eau dans le panier de la pompe chute ou que vous voyez des bulles d'air dans le panier de la pompe ou provenant des conduits de retour, il y a de l'air dans le système. • Vérifiez les flexibles, resserrez tous les raccords de la pompe et vérifiez le joint torique de la pompe pour la présence d'usure.
Les mouvements du nettoyeur ne couvrent pas la totalité de la piscine.	<ul style="list-style-type: none"> • Assurez que le débit est correct. Voir la section « Vérifier le débit ». • Assurez-vous que les garnitures de retour sont dirigées vers le bas. Ajoutez un détournement de retour au besoin. • Assurez-vous que le flexible n'est pas plié ou enroulé. Étendez-le au soleil au besoin pour le redresser. • Vérifiez que le flotteur du flexible est positionné correctement. • Observez le nettoyeur durant plus de cinq (5) minutes et faites en sorte que chaque roue de traction est périodiquement inversée. Si ce n'est pas le cas, veuillez communiquer avec votre détaillant ou centre de service pour de l'aide. • Confirmez la longueur appropriée de flexible.
Le nettoyeur se coince aux étapes.	<ul style="list-style-type: none"> • Observez le nettoyeur durant plus de cinq (5) minutes et faites en sorte que chaque roue de traction est périodiquement inversée. Si ce n'est pas le cas, veuillez communiquer avec votre détaillant ou centre de service pour de l'aide. • Assurez-vous que le pivot au-dessus du nettoyeur tourne librement. • Assurez que le débit est correct. Voir la section « Vérifier le débit ». • Confirmez la longueur appropriée de flexible. Réduisez-la au besoin.
Le nettoyeur ne va pas monter les parois.	<ul style="list-style-type: none"> • Assurez que le débit est correct. Voir la section « Vérifier le débit ». • Vérifiez que le flotteur du flexible est positionné correctement.
Le nettoyeur remonte trop.	<ul style="list-style-type: none"> • Assurez que le débit est correct. Voir la section « Vérifier le débit ». • Vérifiez que le flotteur du flexible est positionné correctement.
Aspirateur reposant sur le côté.	<ul style="list-style-type: none"> • Vérifier que le flotteur du flexible est positionné correctement.

Schéma des pièces du MX™ 8

Pour le schéma des pièces, voir: www.ZodiacPoolSystems.ca

Información importante

⚠ ADVERTENCIA

RIESGO DE QUEDAR ATRAPADO POR LA SUCCION, LO CUAL, SI NO ES EVITADO PUEDE RESULTAR EN LESIONES GRAVES O MUERTE. LEA ESTE MANUAL COMPLETAMENTE ANTES DE INSTALAR Y OPERAR EL LIMPIAFONDOS. Asegúrese que los accesorios de succión y aspiración instalados en su piscina para la conexión de succión al lado del limpiafondos estén certificados en conformidad de las normas de seguridad aplicables tales como IAPMP SPS 4. No bloquee los accesorios de succión, o las aberturas de succión en el limpiafondos, o las mangueras del limpiafondos con alguna parte de su cuerpo. No exponga su cabello, ropa suelta, joyas, etc, al desagüe o salidas de los accesorios de succión en la piscina/spa.



Lea el manual del usuario antes de operar el limpiafondos.



Remueva la piscina antes de entrar en la piscina.



No opere el limpiafondos afuera de la piscina.



No deje que niños jueguen con el limpiafondos.

Aviso para las piscinas con revestimiento de vinilo: Antes de instalar su nuevo limpiafondos automático, examine el interior de su piscina cuidadosamente. Si el revestimiento de vinilo tiene piedras, arrugas, raíces o herrumbre y esta en contacto con la parte inferior del revestimiento, o tiene daños en el material de base o las paredes de apoyo, no instale el limpiafondos sin que un profesional capacitado haga antes las reparaciones necesarias o reemplace el revestimiento. Zodiac Pool Systems, Inc. no será responsable del daño del revestimiento que sea causado por irreparaciones, daño al dibujo del revestimiento del vinilo, o un revestimiento del vinilo dañado por un limpiafondos deteriorado. **Por favor lea la garantía limitada.**

- Para ayudar a prevenir accidentes de atascamiento por succión, los ajustes de aspiración de pared deben tener un bloqueo de aspiración de seguridad instalado. Contacte a su constructor o profesional de piscinas para más detalles.
- Limpie la canasta del colector de espuma, la canasta de la bomba y el filtro de la piscina antes de instalar el limpiafondos y luego hágalo regularmente.
- Desconecte siempre el limpiafondos antes de limpiar o hacer lavado contracorriente del filtro de la piscina. Después de la limpieza, deje que el sistema de filtrado funcione durante al menos cinco (5) minutos antes de volver a conectar el limpiafondos.
- Quite el limpiafondos de la piscina antes de aplicar tratamientos con químicos. Espere un mínimo de cuatro (4) horas después de cloración fuerte antes de volver a instalar el limpiafondos.

Para garantizar un servicio inmediato, si se le solicitará, por favor:

- Complete y devuelva la tarjeta de garantía de Zodiac.
- Registre la información de su compra.
- Adjunte a este documento una copia del recibo de su compra.

Fecha de compra: _____ Comprado en: _____

Número de serie (que aparece en la parte inferior de la cubierta): _____

Si necesita servicio, simplemente presente su manual del usuario con el recibo adjunto en cualquier centro de garantía autorizado de Zodiac del país.

Para atención o ayuda al cliente:

Zodiac Pool Systems, Inc.

2620 Commerce Way, Vista, CA 92081-8438

1-800-822-7933

Introducción

Felicitaciones por la compra de su nuevo limpiafondos automático MX8 construido con la tecnología probada. El MX8 está diseñado y fabricado para instalarse fácilmente y brindarle años de funcionamiento sin preocupaciones. Antes de instalar el limpiafondos, por favor tómese un momento para familiarizarse con sus componentes y para revisar los artículos enumerados en **Información importante**.

Como la mayoría de los dispositivos mecánicos, el MX8 requerirá ajustes periódicos, mantenimientos de rutina y el recambio de determinadas piezas de alto trabajo. Le rogamos que haga revisar periódicamente su limpiafondos por el distribuidor local o por un centro de servicios.

Insista siempre en que se utilicen piezas originales Zodiac para el reemplazo de las partes. Aquellas partes que no sean originales de Zodiac, no se ajustan a nuestras especificaciones. Podrían causar efectos adversos en el funcionamiento de su MX8 o incluso dañarlo.

Limpiafondos MX8 completo (la figura 1)

- | | |
|---|---|
| a. Cuerpo del limpiafondos | g. Calibrador de caudal |
| b. Válvula Flowkeeper™ | h. Sección de manguera con flotador |
| c. Manguito de la válvula | j. Sección de manguera de bloqueo por torsión |
| d. Codo de 45 grados de bloqueo por torsión extendido | |
| f. Codo de 45 grados | |

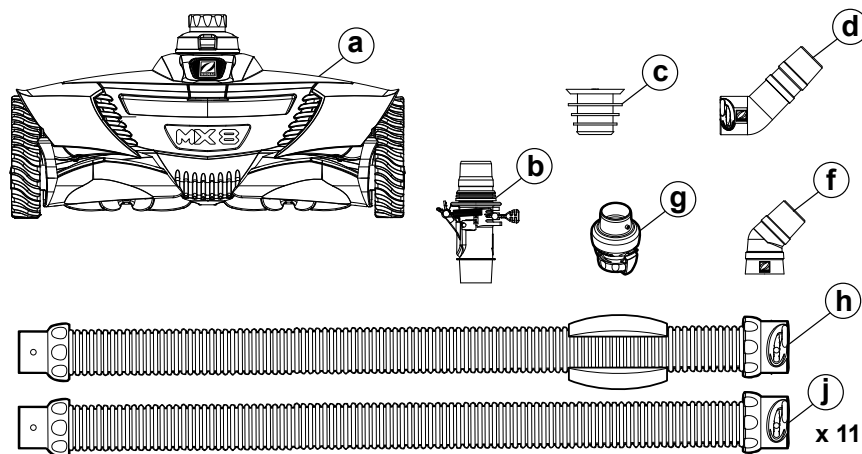


Figura 1

Instalación

Preparar la piscina

1. Apague la bomba del filtro de la piscina.
2. Manualmente aspire la piscina, y asegúrese de que el filtro de la piscina y la canasta de la bomba estén limpios.
3. Cierre la línea de drenaje principal de la piscina.
4. Apunte los aditamentos de retorno hacia abajo.

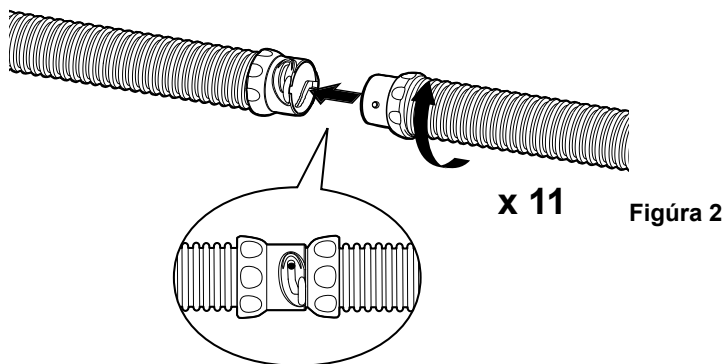
Ensamblar y conectar la manguera

⚠ ADVERTENCIA

RIESGO DE PELIGRO DE ATRAPAMIENTO POR SUCCIÓN QUE, DE NO EVITARSE, PUEDE RESULTAR EN LESIONES GRAVES O LA MUERTE. Asegúrese de que los aditamentos de succión por vacío instalados en su piscina para la conexión de su limpiafondo del lado de succión estén certificados para cumplir con los estándares de seguridad correspondientes tales como IAPMO SPS 4. No bloquee los aditamentos de succión con ninguna parte del cuerpo. No exponga el cabello, prendas holgadas, joyas, etc. en los aditamentos de la boca de succión o los extremos de la manguera en la piscina/spa.

Ensamble las secciones de la manguera:

Inserte y enrosque el conector en cada sección de la manguera hasta que queden bien colocados en su lugar. Los manguitos de la manguera tienen tres (3) posiciones de conexión. Cualquiera de las tres (3) posiciones es suficiente para lograr un sello hermético.



Conecte a un colector de espuma:

La válvula FlowKeeper™ siempre debe usarse en instalaciones con un solo colector de espuma. La válvula regula el caudal para garantizar que la bomba de la piscina y el limpiafondo funcionen correctamente.

Si la piscina tiene más de un colector de espuma, conecte la manguera al que esté más cerca de la bomba.

Las partes que se usen para conectar la manguera y la secuencia usada para instalarlas dependen del tipo de colector de espuma (Figura 3) que se use.

1. Quite la canasta del colector de espuma.
2. Conecte el manguito de la válvula, la válvula FlowKeeper y el codo de 45 grados.
3. Enrosque el extremo macho de la manguera en el extremo del codo de 45 grados.
4. Inserte el tubo del colector de espuma con la flecha hacia abajo.

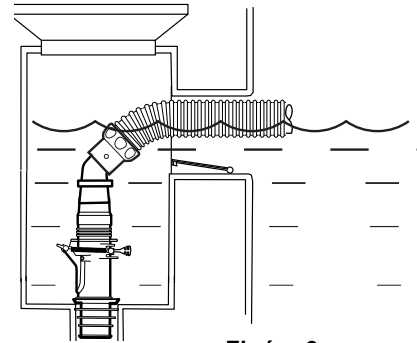


Figura 3

Conecte a una línea de succión exclusiva:

1. Enrosque el extremo macho de la manguera en el extremo grande del codo extendido de 45°.
2. Conecte el codo al aditamento de pared Safety Vac instalado (se vende por separado).
3. Incline el codo hacia arriba, hacia la superficie del agua (Figura 4).

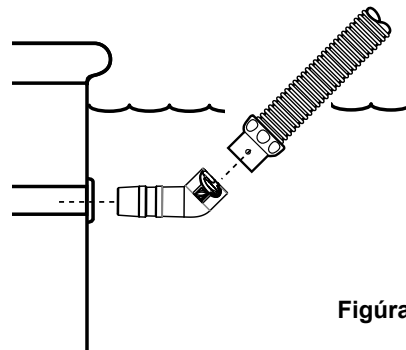


Figura 4

Determine la longitud correcta de la manguera para su piscina:

1. Mida bien la manguera para que alcance el punto más lejano de la piscina desde el colector de espuma o la línea de succión exclusiva. Retire las secciones adicionales de la manguera, según sea necesario (ver (a), Figura 5).
2. Después de determinar la longitud de la piscina, conecte la manguera principal al extremo donde se conectará el cabezal del limpiador. Ver (b) Figura 5.

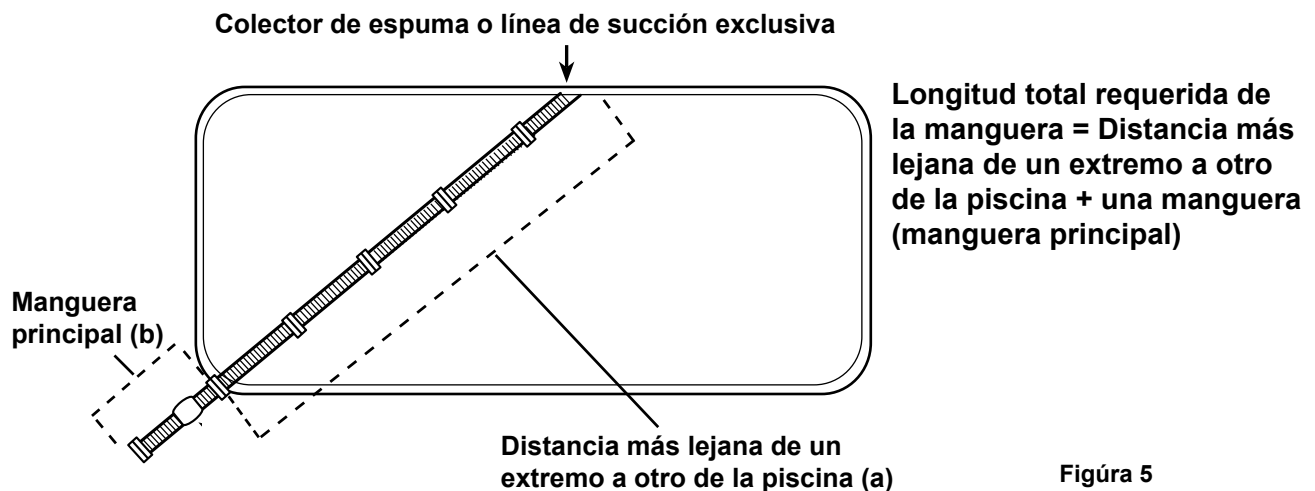


Figura 5

Conectar el limpiafondo

1. Conecte la válvula del regulador de caudal a la manguera principal. La manguera principal es la sección de la manguera con flotador de espuma pre-colocado (Figura 6).
2. Sumerja el limpiador e inúndelo con agua.
3. Cuando dejen de salir burbujas del limpiador, conecte la manguera presionando la válvula del regulador de caudal en el limpiador (Figura 7).
4. Deje que el limpiafondo se hunda hasta el fondo de la piscina.
5. Desconecte temporalmente la manguera del colector de espuma o la línea de vacío exclusiva.
6. Encienda la bomba del filtro de la piscina.
7. Inunde la manguera con agua colocando el extremo delante de una de las entradas de retorno de agua de la piscina.
8. Apague la bomba del filtro de la piscina.
9. Vuelva a conectar la manguera al colector de espuma o línea de vacío exclusiva.

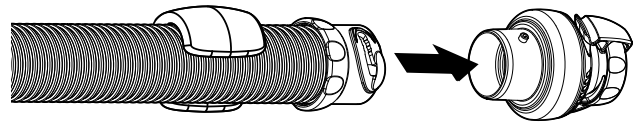


Figura 6

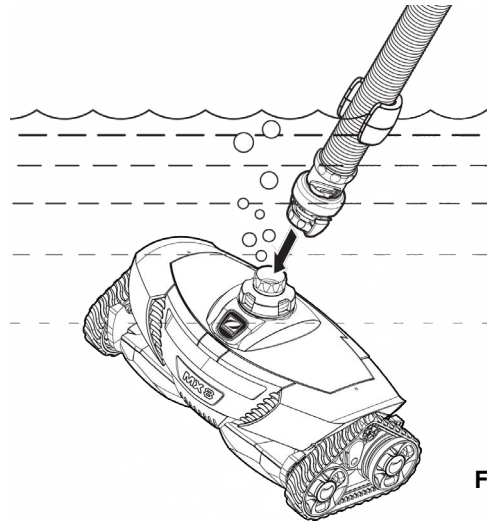


Figura 7

Comprobar que el caudal sea adecuado

⚠ ADVERTENCIA

Para evitar lesiones graves, asegúrese de apagar la bomba de succión responsable del funcionamiento del limpiafondo. No exponga el cabello, prendas holgadas sueltas, joyas, etc. al extremo abierto de la manguera.

La válvula del regulador de caudal está diseñada para limitar constantemente el caudal alto de agua a través del limpiador. Cuando el caudal es el correcto, los componentes del limpiador son menos susceptibles a daños y la vida del limpiador puede extenderse. La velocidad de rotación de las ruedas es un buen indicador de cómo fluye el agua a través del limpiador. Al comprobar una secuencia apropiada de rotación de las ruedas, puede verificar que el MX8 está funcionando en su máxima eficiencia.

Mida el tiempo de rotación de las ruedas:

1. Encienda la bomba del filtro de la piscina.
2. Obtenga un cronómetro o temporizador.
3. Dejando la bomba encendida y con agua pasando por el limpiador, lleve el MX8 a la superficie del agua y sumérjalo justo debajo de la línea del agua (de modo que quede totalmente sumergido).
4. Ubique el indicador amarillo de velocidad de las ruedas en la rueda derecha trasera (Figura 8).

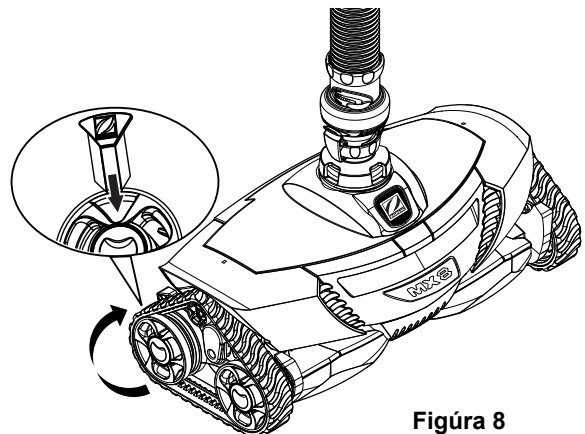
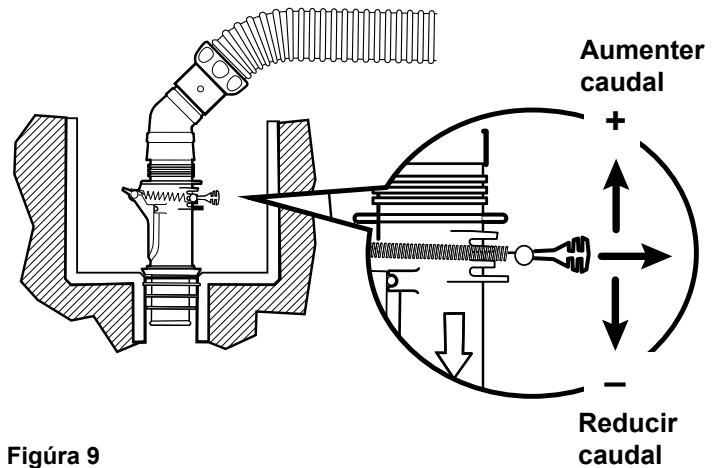


Figura 8

5. Espere a que las ruedas cambien de dirección, luego comience a contar el tiempo que las ruedas tardan en dar 10 vueltas. Si la rueda gira en sentido inverso durante el control, comience nuevamente.
6. Observe la cantidad de segundos para 10 giros. Si el conteo está dentro de 20-25 segundos, el caudal del limpiador es adecuado y no se necesita ningún ajuste.

Ajuste el caudal de ser necesario:

1. Determine si el caudal del limpiador es adecuado o si debe ajustarse. Si el conteo es:
 - 26 - 50 segundos --- **aumente el caudal (+)**
 - 10 - 19 segundos --- **reduzca el caudal (-)**
2. Use el ajuste hacia arriba o abajo de la válvula FlowKeeper™, o ajuste las válvulas en el panel del equipo para aumentar o reducir el caudal del limpiador según sea necesario (Figura 9).



Figúra 9

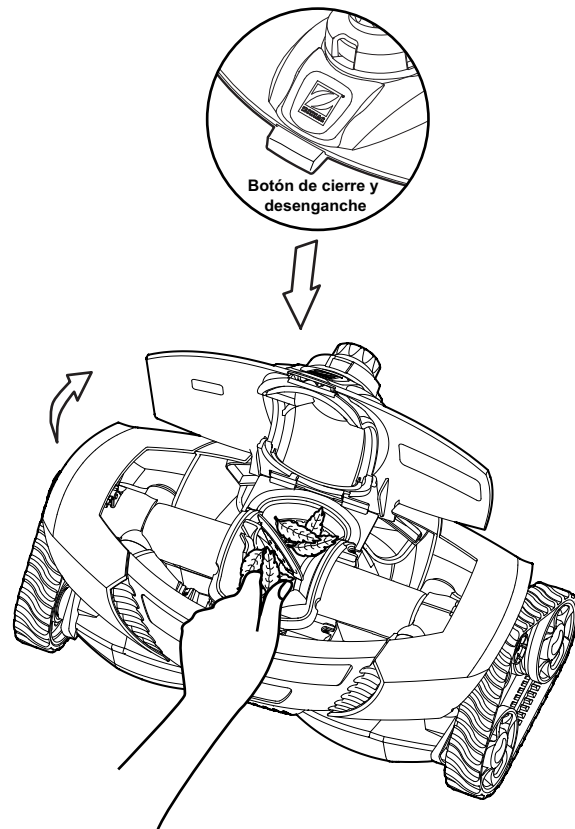
Operación and mantenimiento rutinario

Removiendo desechos del motor

⚠ ADVERTENCIA

Para evitar lesiones graves, asegúrese de que el limpiafondos este desconectado de la manguera y que la bomba de succión utilizada para el limpiafondos está apagada antes de realizar esta operación.

- 1) Pulse el botón de cierre y desenganche en la parte superior del limpiafondos (ver la figura 10).
- 2) Gire el conjunto de arriba hacia atrás hasta que encaje en una posición hacia arriba.
- 3) Mire en el motor y retire los desechos que están presente.
- 4) Si es necesario, empuje las paletas del motor hacia delante o hacia atrás para mover los desechos pegados a un lugar accesible para luego removerlos. Al mover las paletas del motor, asegúrese que las pistas de tracción estén limpias para que se muevan libremente ya que a su vez se mueven cuando las paletas del motor giran.
- 5) Cerrar la tapa del motor y asegurarse de que quede fijo en su lugar.



Figúra 10

Modos de limpieza del limpiafondos

El MX8 limpiafondos está diseñado con dos (2) opciones de limpieza:

1. **Modo de limpieza para desechos pequeños (original de fábrica):** Para aspirar los residuos más pequeños y pesados, por ejemplo, arena, limo y piedras pequeñas. El limpiafondos se envía desde la fábrica en este modo.
2. **Modo de limpieza para desechos grandes:** Para aspirar los desechos grandes, tales como, las hojas.

⚠ ADVERTENCIA

Para evitar lesiones graves, asegúrese de que el limpiafondos está desconectado de la manguera y que la bomba de succión utilizada para el limpiafondos este apagada antes de comenzar esta operación. Revolver el limpiafondos al modo de limpieza para desechos pequeños después de cada limpieza.

Para convertir el limpiafondos al modo de limpieza de desechos grandes:

1. Sujete el adaptador de entrada de color amarillo e introduzca un dedo en el orificio del adaptador, como se muestra a continuación.
2. Levante el borde posterior del adaptador y luego saquelo del agujero del limpiafondos.

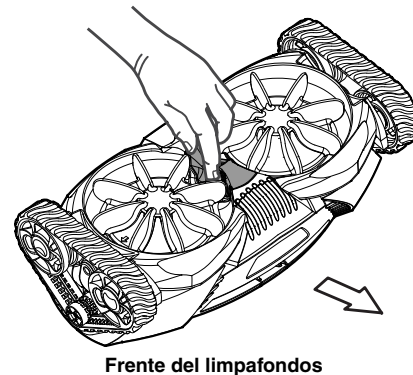


Figura 11

Para convertir el limpiafondos al modo de limpieza de desechos pequeños:

1. Coloque el adaptador de color amarillo en el agujero de aspiración del limpiafondos. Empuje hacia abajo el adaptador amarillo hasta que ambos bordes, el frontal y posterior hagan clic en su lugar (en el agujero de aspiración).

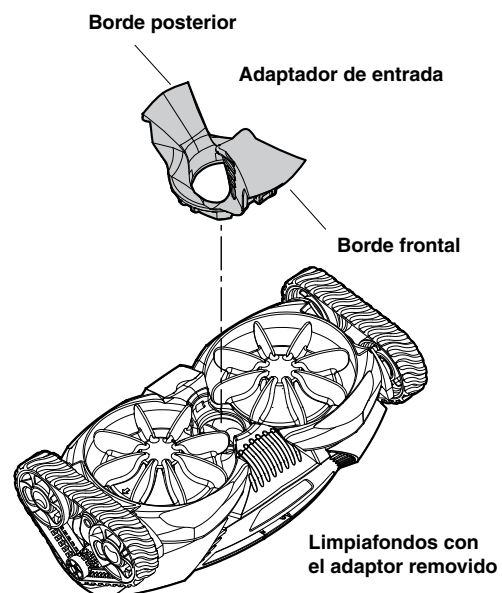


Figura 12

Diagnóstico y localización de averías

Si tiene algún problema con su MX8, por favor siga los pasos del diagnóstico y localización de averías a continuación para restablecer el funcionamiento normal. Si necesita más ayuda, contáctese al departamento de soporte técnico de Zodiac al (800) 822-7933. Por favor tenga a mano su número de serie y fecha de compra cuando llame.

Problema	Solución
El limpiafondos no se mueve o se mueve lentamente.	<ul style="list-style-type: none"> • Confirme que el drenaje principal esté cerrado. • Revisar el flujo. Calcular 10 rotaciones de la rueda con un coronómetro. • Lave el filtro contracorriente y vacíe la canasta de la bomba. • Verifique que desechos no estén atorados en el motor. Consulte la sección "Removiendo desechos del motor". • Retire el adaptador de entrada de color amarillo en la parte inferior del limpiafondos. Consulte la sección de "Modos de limpieza del limpiafondos". • Verifique que no haya aire en el sistema. Si baja el nivel de agua en la canasta de la bomba o si ve que salen demasiadas burbujas de la canasta o de las líneas de retorno, quiere decir que hay aire en el sistema. Revise todas las conexiones de la manguera, apriete todos los acopladores en la bomba y revise el empaque de la canasta para ver si está gastado.
El limpiafondos limpia sectores, no cubre la piscina entera.	<ul style="list-style-type: none"> • Revisar el flujo. Calcular 10 rotaciones de la rueda con un coronómetro. • Asegúrese de que los elementos de retorno estén apuntando hacia abajo. Agregue un desviador de retorno de ser necesario. • Asegúrese de que la manguera no esté enrollada ni enroscada. De ser necesario, extiéndala y deje que le dé el sol para estirarla. • Verifique que la posición del peso de la manguera sea la correcta. • Observe el limpiafondos por cinco (5) minutos y asegúrese que cada pista de tracción retrocede periódicamente. Si esto no sucede, contacte a su concesionario o al centro de servicio de ayuda al cliente. • Confirme que la longitud de la manguera sea adecuada.
El limpiafondos se queda trabado en los escalones.	<ul style="list-style-type: none"> • Observe el limpiafondos por cinco (5) minutos y asegúrese que cada pista de tracción retrocede periódicamente. Si esto no sucede, contacte a su concesionario o al centro de servicio de ayuda al cliente. • Asegúrese que la plataforma giratoria de la cubierta gira libremente. • Revisar el flujo. Calcular 10 rotaciones de la rueda con un coronómetro. • Confirme que la longitud de la manguera sea adecuada. De ser necesario, acórtela.
El limpiafondos no asciende por las paredes.	<ul style="list-style-type: none"> • Revisar el flujo. Calcular 10 rotaciones de la rueda con un coronómetro. • Verifique que la posición del peso de la manguera sea la correcta.
Demasiado ascenso del limpiafondos	<ul style="list-style-type: none"> • Revisar el flujo. Calcular 10 rotaciones de la rueda con un coronómetro. • Verifique que la posición del peso de la manguera sea la correcta.
El limpiafondos corre de lado	<ul style="list-style-type: none"> • Verifique que la posición del peso de la manguera sea la correcta.

Diagrama de piezas del MX™ 8

Ver la diagram de pieza al: www.ZodiacPoolSystems.com

Zodiac Pool Systems, Inc.

2620 Commerce Way, Vista, CA 92081

1.800.822.7933 | www.ZodiacPoolSystems.com

Zodiac Pool Systems Canada, Inc.

2115 South Service Road West, Unit 3, Oakville, ON L6L 5W2 Canada

1.888.822.400 | www.ZodiacPoolSystems.ca

*ZODIAC® is a registered trademark of Zodiac International, S.A.S.U., used under license.
All trademarks referenced herein are the property of their respective owners.*

*ZODIAC® est une marque déposée de Zodiac International, S.A.S.U., utilisée sous licence.
Toutes les autres marques citées sont la propriété respective de leur propriétaire.*

*ZODIAC® es una marca registrada de Zodiac International, S.A.S.U., usada bajo licencia.
Todas las otras marcas registradas usadas aqui son propiedad de sus propietarios.*

©2013 Zodiac Pool Systems, Inc. H0343700 Rev E 1309



ZODIAC®